



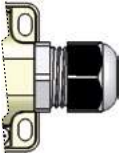
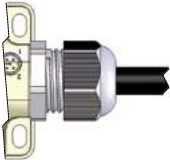
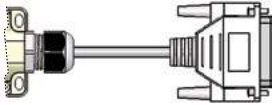
JDC (M12) Junction Blocks

4 Port, 4 Pin JDC Junction blocks

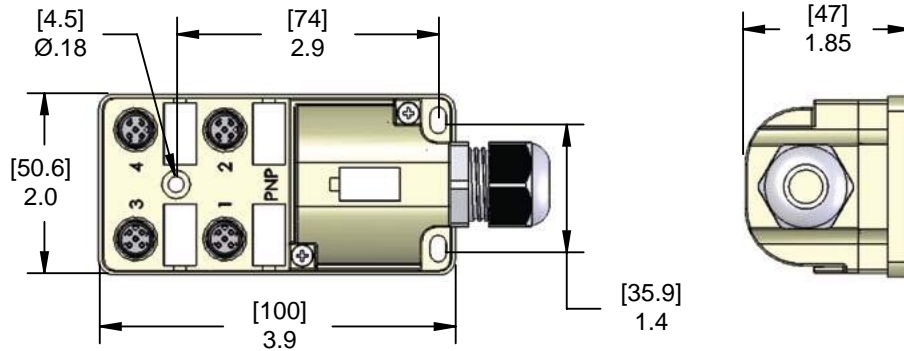


Field Wireable | Cable | D-Sub | IP67 Protection Rating



Trunk Style	UL Rating	Trunk Connection	Part Number		
			No LED	PNP	NPN
	UL Listed	Field Wireable 24 AWG - 16 AWG	JDC-440-007-F000	JDC-44P-207-F000	JDC-44N-207-F000
	UL Listed	Black PUR AWM With With Foil Shield 22 AWG Drain Wire 3 x 18 AWG 4 x 22 AWG 8.1mm OD	JDC-440-007-C**	JDC-44P-207-C**	JDC-44N-207-C**
	N/A	Gray PVC With With Foil Shield 20 AWG Drain Wire 5 x 24 AWG 4 x 20 AWG	JDC-440-009-D**	JDC-44P-209-D**	JDC-44N-209-D**

** Lengths in meters. Standard cable lengths are 2m, 5m and 10m. Consult factory for other lengths.



JDC Junction Blocks

Q

Specifications:

- Ratings: 3 A per Connector
8 A per Block
- Voltage: Without LEDs: 0-150 Volt Max
With LEDs: 48 VDC Max in accordance with LED Configuration
- Body: Polypropylene
- Inserts: Polyamide
- Port Coupling Nuts: PBT
- O-Ring: BUNA-N
- LED Lens: Polycarbonate
- Contacts: Copper Alloy with Gold Plating
- Marker Tags: Polyamide (supplied on all units)

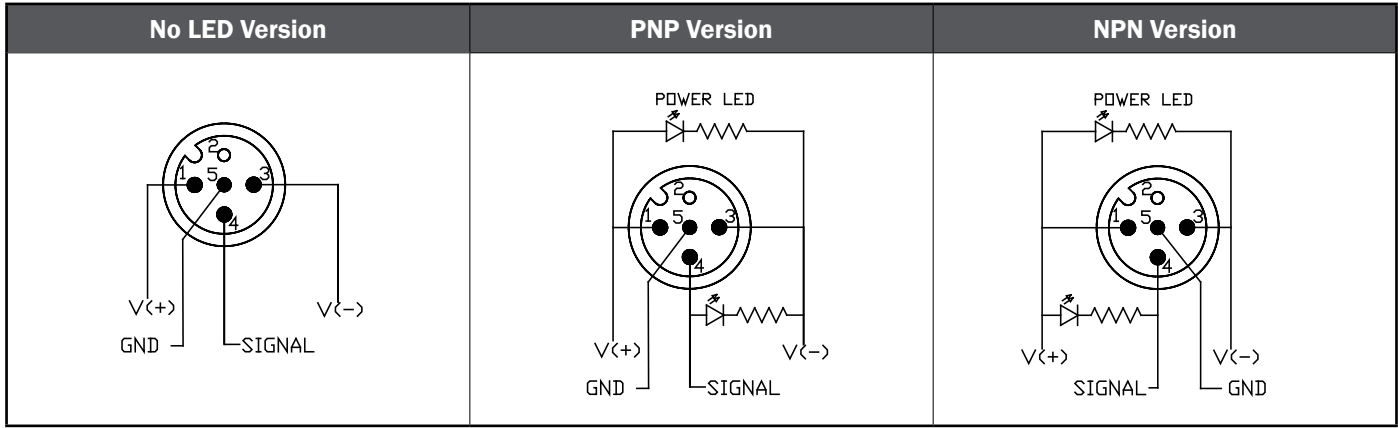


JDC (M12) Junction Blocks

4 Port, 4 Pin JDC Junction blocks



Field Wireable | Cable | D-Sub | IP67 Protection Rating



Function	Cable Version	9 PIN MALE D-SUB
	Cable O.D. 0.34"	
+ V	Brown	PIN #6 & #7
- V	Blue	PIN #8 & #9
Ground	Green/Yellow	Shield
PORT 1 PIN 4	White	PIN # 1
PORT 2 PIN 4	Green	PIN #2
PORT 3 PIN 4	Yellow	PIN #3
PORT 4 PIN 4	Gray	PIN #4

JDC Junction Blocks

Q